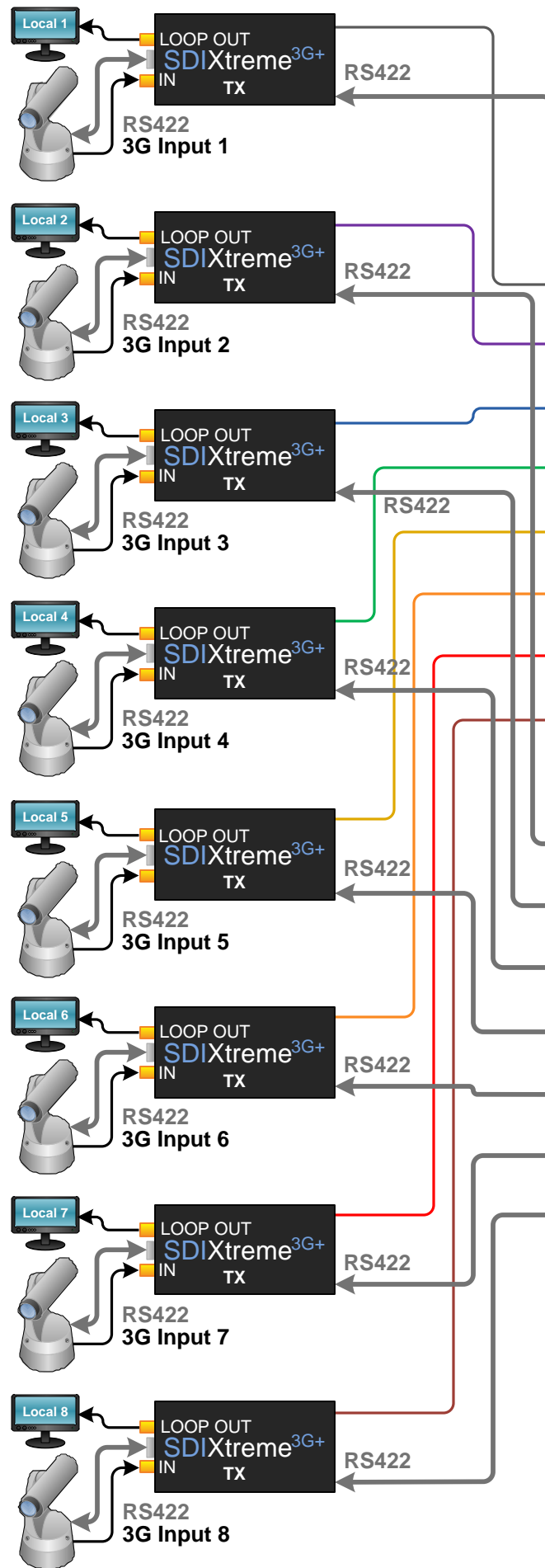
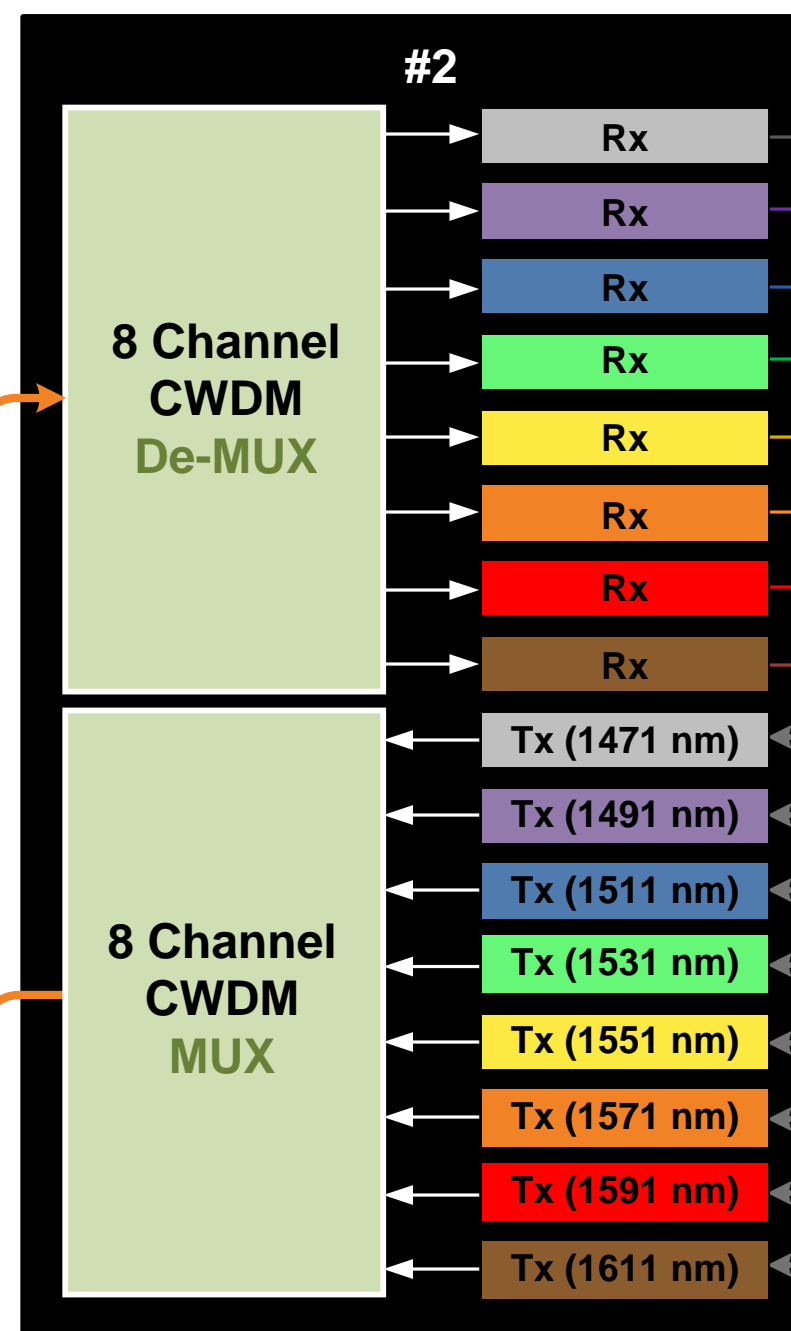
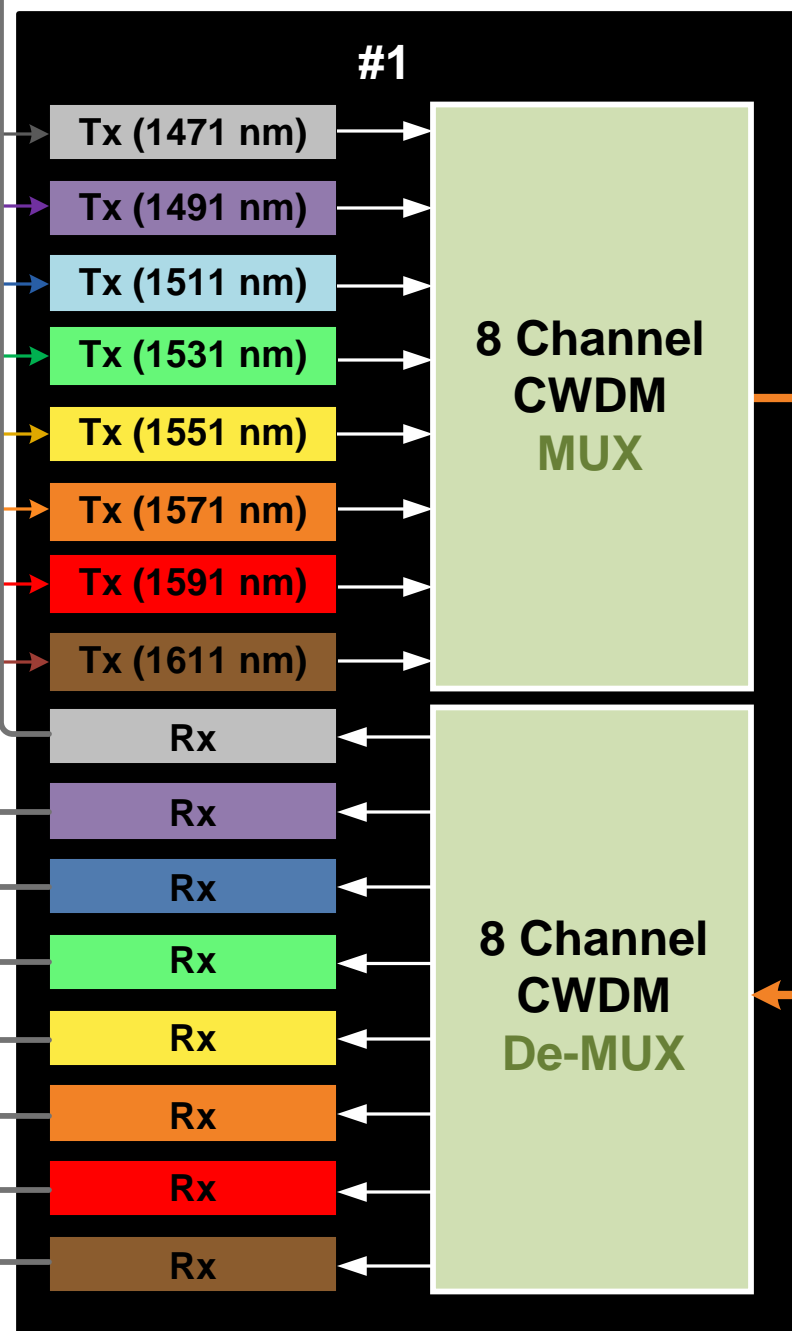


### TRANSMITTERS

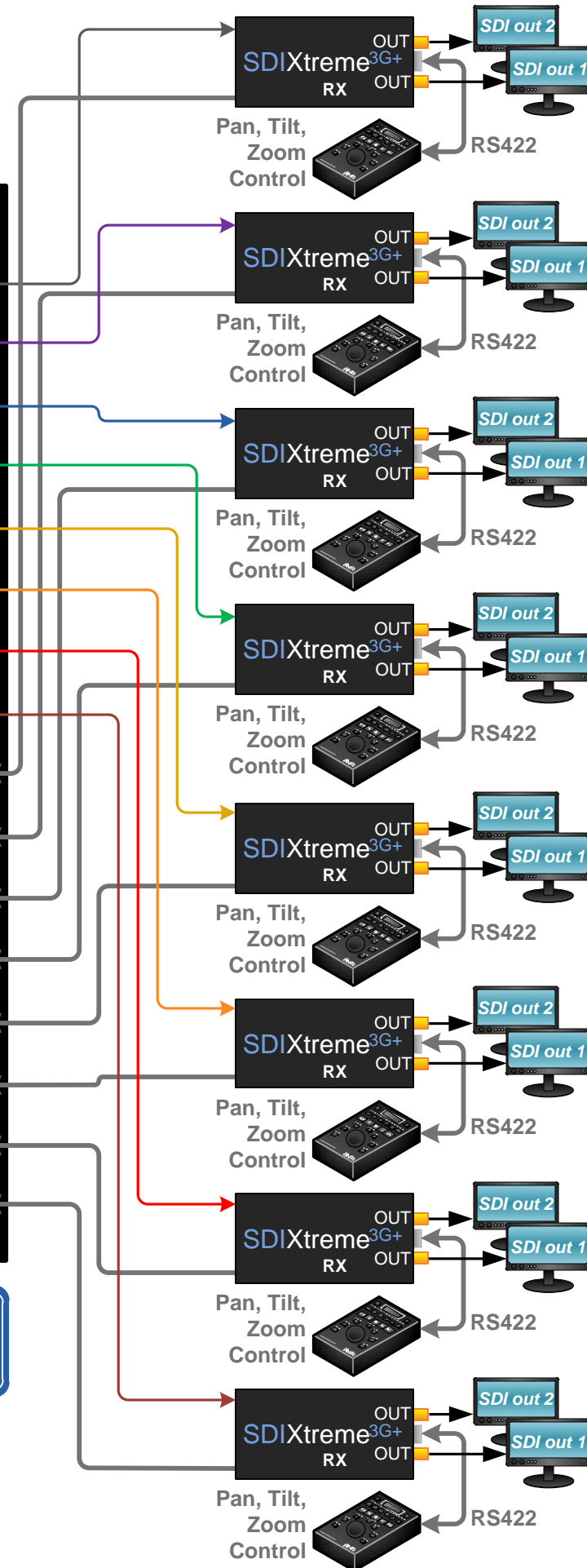


## 3G Bi-Directional CWDM Connections with Dual Fibers



Fiber Optic Cable

### RECEIVERS



**thinklogical**  
Extend • Distribute • Innovate

PHONE: 1-800-291-3211  
WEBSITE: www.thinklogical.com  
EMAIL: support@thinklogical.com

Visit us online at [www.thinklogical.com](http://www.thinklogical.com) for more product information, current updates and the complete line of Thinklogical® products.