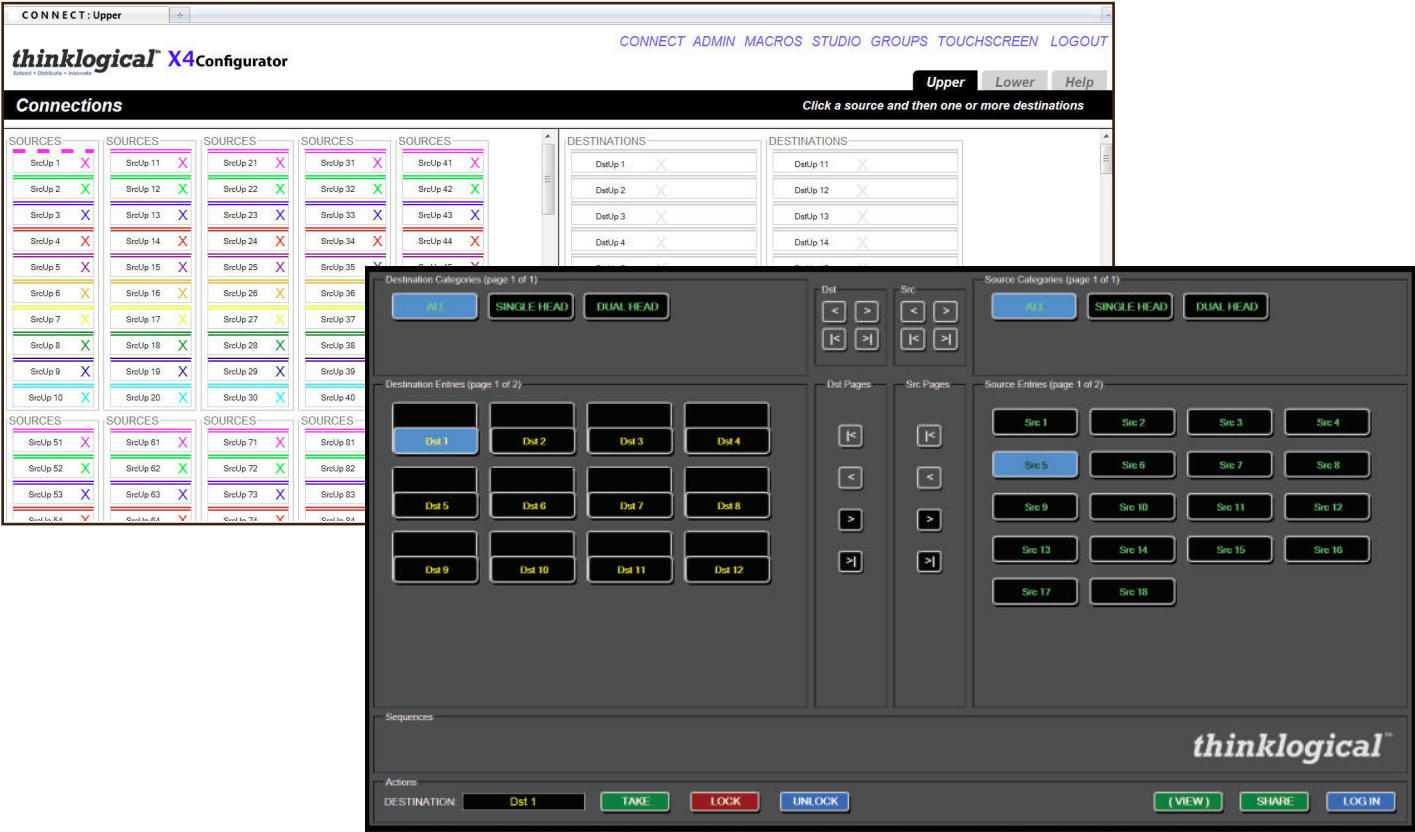


Control Management System X4 Configurator



Thinklogical offers control management software to help you manage, control and configure a wide selection of Thinklogical products.

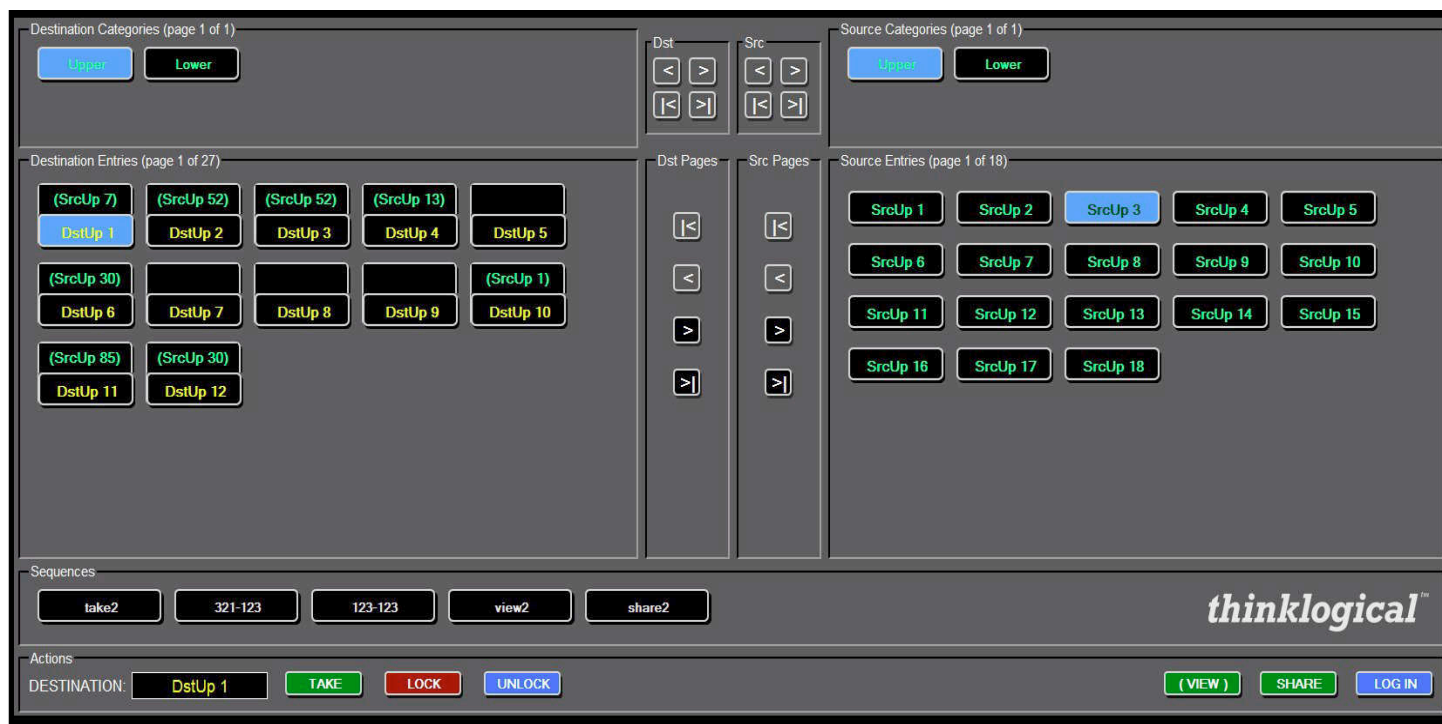
X4 Configurator

Free configuration and control software for MX, VX and HDX Routers

The X4 Configurator platform combines performance, efficiency and reliability in one complete system. It is an easy-to-use yet comprehensive software application that allows users to configure, manage and control Thinklogical's KVM and video routers (MX, VX, and HDX router lines). In addition, it provides integrated control over the entire routing and extension deployment from an intuitive graphical user interface.

The X4 Configurator's graphical user interface provides intuitive navigation allowing novice users to easily connect their sources and destinations with ease. In addition, the X4 Configurator is designed with large, uncluttered windows, shallow menu trees, and large buttons for touchscreen friendly control, configuration and status monitoring. The newly revamped **X4 Configurator STUDIO Connection skin** is a GUI designed for the broadcast and post-production environments. Its design is based on familiar industry standard interfaces, so users can easily find key functions and perform switching between source computer or video entities and user display destinations such as desktops, theaters and editing suites. All Thinklogical software products are Windows® and Linux® compatible.

NOTE: Use of any software made available for download requires user acceptance of the terms in the Thinklogical End User License Agreement, which users can view before downloading any such software.



STUDIO Connections Screen Showing Sources and Destinations

Administrative Setup and Control

The X4 Configurator provides step-by-step screens that guide the Administrator through the process of configuring a routing system. The X4 Configurator allows an Administrator to add users, groups and devices while organizing them in a logical fashion. It also provides a means to configure IP and security settings and define and monitor system event information and alert messaging.

Administrative Features:

- **Define Users/Groups:** Collections of individuals who have defined access rights to specific assets. Used to restrict access to stations and/or macros - depending on your desired configuration you can define user login rights and restrictions as well as IP addresses for user touch panels.
- **Setup Stations:** Define and name sources or display devices. Administrator can define which groups or users can view or control a particular station.

CONNECT ADMIN MACROS STUDIO GROUPS TOUCHSCREEN LOGOUT

thinklogical X4Configurator

Macros **Stations** Router Snapshots Tests Log Help

Administration Select from the tabbed choices above

Backup SAVE Cancel

Click inside any cell to change the contents of that cell, *right-click* inside any cell to see additional row options, *right-click* inside any column header to add or delete columns (if appropriate), and press the **SAVE** or **Cancel** buttons (above) when changes are complete.

Stations (version: X4.4)

Width:	Height:	Font Size:	Update Interval:	Destination Side:	Connection Type:	Touch Type:
120	28	12	2000	RIGHT	SHARE	VIEW

Source Category:	Source Category:	Source Category:	Source Category:	Source Category:	Source Category:	Source Category:
Upper	Lower					

Destination Categ:	Destination Categ:	Destination Categ:	Destination Categ:	Destination Categ:	Destination Categ:	Destination Categ:
Upper	Lower					

Source Name:	Router Name:	L1:	L2:	L3:	Category:	Category:	Color:
SrcUp 1	Tech center	UR-001			Upper		fuchsia
SrcUp 2	Tech center	UR-002			Upper		lime
SrcUp 3	Tech center	UR-003			Upper		blue
SrcUp 4	Tech center	UR-004			Upper		red
SrcUp 5	Tech center	UR-005			Upper		purple
SrcUp 6	Tech center	UR-006			Upper		orange
SrcUp 7	Tech center	UR-007			Upper		yellow
SrcUp 8	Tech center	UR-008			Upper		green

Administration Stations Screen

- **Securing Keyboard/Video Back Channel** - for secure installations the keyboard and video can be securely tied to the back channel so that signals can only be sent to a single destination

Administrative Features (continued):

- **VIEW/SHARE/TAKE** - pertains to keyboard/mouse control and connections

VIEW will cause the newly selected destination to be fed by the currently selected source in addition to any previously connected destinations. If the source has a back channel for keyboard/mouse control, then only the first destination connected will have control of the keyboard/mouse. All additional destinations will see the video (if there is any), but only the first will control the CPU.

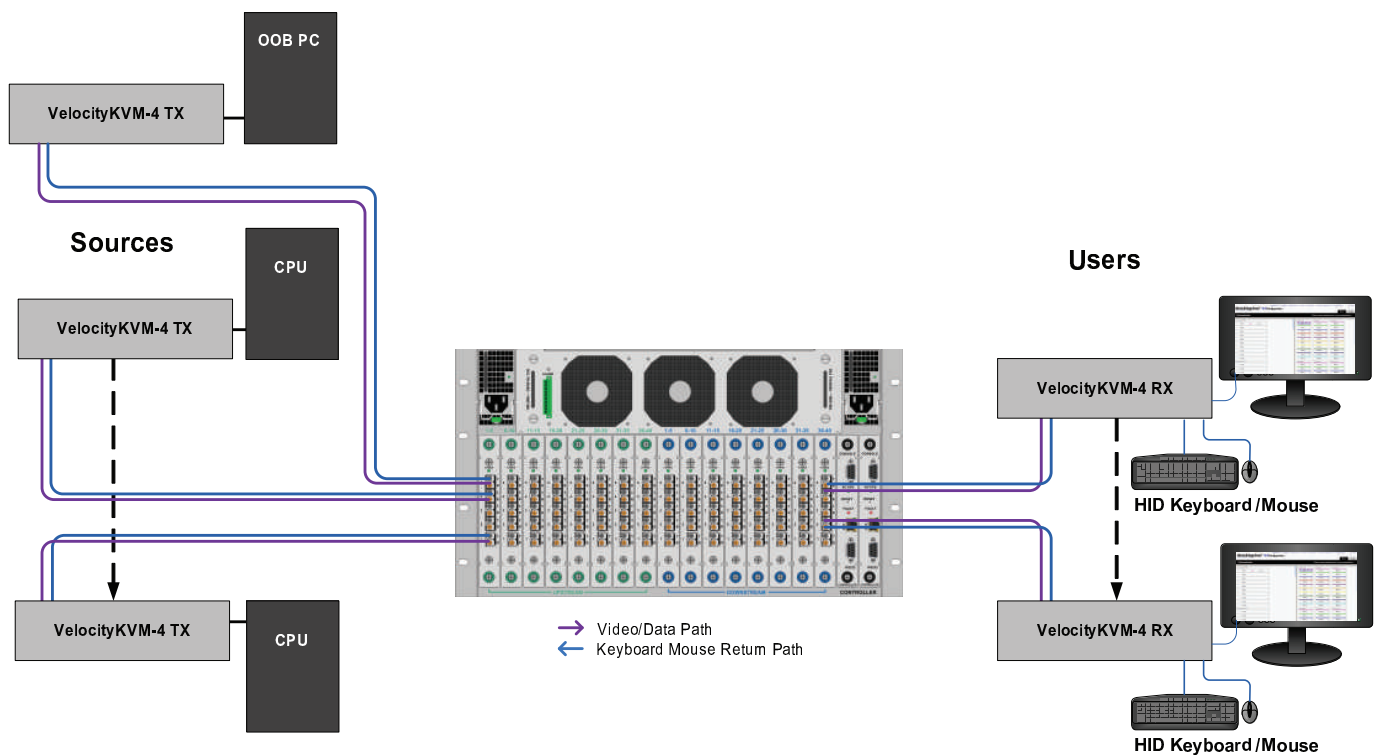
SHARE is much like VIEW, except the last destination connected will have the keyboard/mouse instead of the first. This allows rapid switching of keyboard/mouse control among multiple destinations, which is particularly valuable during collaborative work.

TAKE is the final connection type. In a TAKE style connection, only the last destination connected to a source will have both video and keyboard/mouse. Any existing video connections between the selected source and other destinations will be lost, so that only the last destination connected will have video from and keyboard/mouse to the source.

- **Setup Routers** – define and or change router name, type and IP address
- **Create Tie-Lines** - transparent setup for large installations using multiple routers - the X4 Configurator allows Administrators to link and connect multiple routers
- **Log Information** - view system information such as logs, connections made, operations performed, error messages and system updates
- **Run Tests** – allows administrators to test the port connections of the routers by cycling through sources and destinations or broadcasting to chosen ports
- **Macros** – create, edit and delete sequences of events through saved history and functions – these can be named and saved in order to view and run for future use
- **Snapshots** – save and record the connections made on every port on one or more routers – including ports that are not connected – when a snapshot is played back or executed, every port will be reset to the configuration of that particular snapshot

NEW! On-Screen Display (OSD) – For quick and simple connections to destination resources

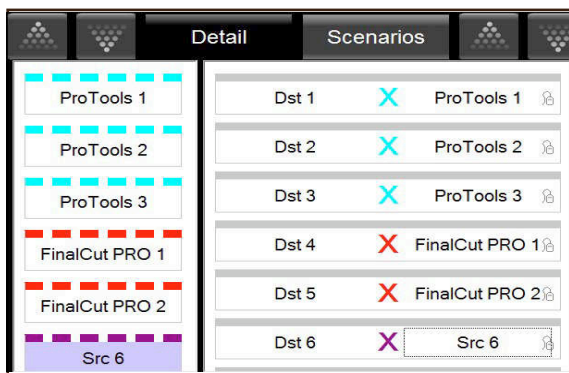
The X4 Configurator can be accessed and controlled via an OSD (on-screen display) technology. The X4 Configurator software can be installed on a designated OOB (out-of-band) PC which users can access from their workstation. A preconfigured hot-key sequence will deliver the X4 Configurator GUI straight to the user's desktop monitor. The user can then select the defined sources and destinations that they wish to connect. While a user is making the connections, they have exclusive use of the OOB PC. Once they have completed their connections the OOB PC becomes available for the next user. The OOB PC that has the X4 Configurator loaded on it has a built in time out function, therefore the PC cannot be taken out of service for an extended period of time. The time outs can be set in increments of one second. Typical time outs are in the order of 10 seconds.

**Thinklogical's Router and Extension System using OSD to Access the X4 Configurator**

Once the Administrator has setup the Thinklogical routing system through the X4 Configurator, users can seamlessly view, make and break connections between their designated sources and destinations with ease.

NEW! Collaboration Feature

The X4 Configurator has a new workflow-engineered feature which improves efficiency for any production, post or visual environment. In many collaborative workflows, users in multiple locations need to be able to connect to, utilize and share the same resources. The Collaboration feature of the X4 Configurator allows multiple users to access a source workstation's keyboard and mouse seamlessly with any keystroke or movement of the mouse. This in turn provides the end user with a single shared view of the source video, along with use of the source keyboard and mouse. Once the source peripherals are no longer in use the keyboard and mouse will become available for the next connected user. This makes collaboration between stages and editing or mixing rooms smooth and continuous. Setting up Collaboration is simple and is done through X4 Configurator Administration Users/Groups and Stations menus.



Multiple destinations given keyboard/mouse control

Touch Panels

Thinklogical offers control touch panels. With several sizes to choose from (5.7", 8.9", and 17"), they provide tremendous flexibility in external routing control. The touch panel simply connects to your network and provides the X4 Configurator interface, in a variety of locations, right at your fingertips.



Shown: 5.7" and 17"

NOTE: X4 Configurator uses .csv file format for setup. Files can be easily created and modified or edited via a spreadsheet application and will be automatically imported into the X4 Configurator application. In addition, the .csv file retains its cell, column, row formatting within the X4 GUI. This makes for easy and intuitive setup and updates.

	A	B	C	D	E	F	G	H	I	J	K	L	M	N	O	P	Q
1	# Stations	(version: X4.4)															
2																	
3	Width:	Height:	Font Size:	Update Int	Destinatio	Connection Type:	Touch Type:										
4	120	28	12	2000	RIGHT	SHARE	SHARE										
5																	
6	Source Ca	Source Catego	Source Ca	Source Ca	Source Ca	Source Category:	Source Category:										
7	ALL	SINGLE HEAD	DUAL HEAD														
8																	
9	Destinatio	Destination Ca	Destinatio	Destinatio	Destinatio	Destination Category:	Destination Category:										
10	ALL	SINGLE HEAD	DUAL HEAD														
11																	
12	Source Na	Router Name:	L1:	L2:	L3:	Category:	Category:	Color:									
13	Src 1	RouterOne	UR-001	UT-001		ALL	SINGLE HEAD	aqua									
14	Src 2	RouterOne	UR-002	UT-002		ALL	SINGLE HEAD	fuchsia									
15	Src 3	RouterOne	UR-003	UT-003		ALL	SINGLE HEAD	lime									
16	Src 4	RouterOne	UR-004	UT-004		ALL	SINGLE HEAD	blue									
17	Src 5	RouterOne	UR-005	UT-005		ALL	SINGLE HEAD	red									
18	Src 6	RouterOne	UR-006	UT-006		ALL	SINGLE HEAD	purple									
19	Src 7	RouterOne	UR-007	UT-007		ALL	SINGLE HEAD	orange									
20	Src 8	RouterOne	UR-008	UT-008		ALL	SINGLE HEAD	yellow									
21	Src 9	RouterOne	UR-009	UT-009		ALL	SINGLE HEAD	green									
22	Src 10	RouterOne	UR-010	UT-010		ALL	SINGLE HEAD	navy									
23	Src 11	RouterOne	UR-011	UT-011		ALL	SINGLE HEAD	aqua									
24	Src 12	RouterOne	UR-012	UT-012		ALL	SINGLE HEAD	fuchsia									
25	Src 13	RouterOne	UR-013	UT-013		ALL	SINGLE HEAD	lime									
26	Src 14	RouterOne	UR-014	UT-014		ALL	SINGLE HEAD	blue									
27	Src 15	RouterOne	UR-015	UT-015		ALL	SINGLE HEAD	red									
28	Src 16	RouterOne	UR-016	UT-016	UR-017	ALL	DUAL HEAD	purple									

Spreadsheet File Defining X4 Configurator Setup

GUI Design and Development Services

Thinklogical offers a variety of customization services. Contact Thinklogical for additional information regarding customizing the look and feel of the X4 Configurator GUI to fit into any environment.

thinklogical X4Configurator CONNECT ADMIN MACROS STUDIO GROUPS TOUCHSCREEN LOGOUT

ALL SINGLE HEAD DUAL HEAD Help

Connections Click a source and then one or more destinations

SOURCES		SOURCES	
ProTools 1	X	Src 11	X
ProTools 2	X	Src 12	X
ProTools 3	X	Src 13	X
FinalCut PRO 1	X	Src 14	X
FinalCut PRO 2	X	Src 15	X
Src 6	X	Src 16	X
Src 7	X	Src 17	X
Src 8	X	Src 18	X
Src 9	X	Src 19	X
Src 10	X	Src 20	X

DESTINATIONS		DESTINATIONS	
Det 1	X	ProTools 1	
Det 2	X	ProTools 2	
Det 3	X	ProTools 3	
Det 4	X	FinalCut PRO 1	
Det 5	X	FinalCut PRO 2	
Det 6	X	Src 6	
Det 7	X	Src 16	
Det 8	X	Src 13	
Det 9	X	Src 6	
Det 10	X		
Det 11	X	FinalCut PRO 2	
Det 12	X	Src 6	
Det 13	X	Src 13	
Det 14	X	Src 7	
Det 15	X	Src 13	
Det 16	X	FinalCut PRO 2	
Det 17	X	FinalCut PRO 1	
Det 18	X	Src 7	
Det 19	X		
Det 20	X	ProTools 1	

thinklogical X4Configurator CONNECT ADMIN MACROS STUDIO GROUPS TOUCHSCREEN LOGOUT

Upper Lower Help

Connections Click a source and then one or more destinations

SOURCES		SOURCES		SOURCES		SOURCES		SOURCES	
SrcUp 1	X	SrcUp 11	X	SrcUp 21	X	SrcUp 31	X	SrcUp 41	X
SrcUp 2	X	SrcUp 12	X	SrcUp 22	X	SrcUp 32	X	SrcUp 42	X
SrcUp 3	X	SrcUp 13	X	SrcUp 23	X	SrcUp 33	X	SrcUp 43	X
SrcUp 4	X	SrcUp 14	X	SrcUp 24	X	SrcUp 34	X	SrcUp 44	X
SrcUp 5	X	SrcUp 15	X	SrcUp 25	X	SrcUp 35	X	SrcUp 45	X
SrcUp 6	X	SrcUp 16	X	SrcUp 26	X	SrcUp 36	X	SrcUp 46	X
SrcUp 7	X	SrcUp 17	X	SrcUp 27	X	SrcUp 37	X	SrcUp 47	X
SrcUp 8	X	SrcUp 18	X	SrcUp 28	X	SrcUp 38	X	SrcUp 48	X
SrcUp 9	X	SrcUp 19	X	SrcUp 29	X	SrcUp 39	X	SrcUp 49	X
SrcUp 10	X	SrcUp 20	X	SrcUp 30	X	SrcUp 40	X	SrcUp 50	X

DESTINATIONS		DESTINATIONS	
DestUp 1	X		
DestUp 2	X		
DestUp 3	X		
DestUp 4	X		
DestUp 5	X		
DestUp 6	X		
DestUp 7	X		
DestUp 8	X		
DestUp 9	X		
DestUp 10	X	SrcUp 1	
DestUp 11	X		
DestUp 12	X		
DestUp 13	X		
DestUp 14	X		
DestUp 15	X		
DestUp 16	X		
DestUp 17	X		
DestUp 18	X		
DestUp 19	X		
DestUp 20	X		
DestUp 21	X		
DestUp 22	X		
DestUp 23	X		
DestUp 24	X		

X4 Configurator Connection Screen Examples

© 2011 Thinklogical. All rights reserved.
 Thinklogical, claims or other product information contained in this document are subject to change without notice. This document may not be reproduced, in whole or in part, without the express written consent of Thinklogical.



100 Washington Street
 Milford, CT 06460 USA

Contact a Thinklogical Sales Representative at
 sales@thinklogical.com or (203) 647-8700